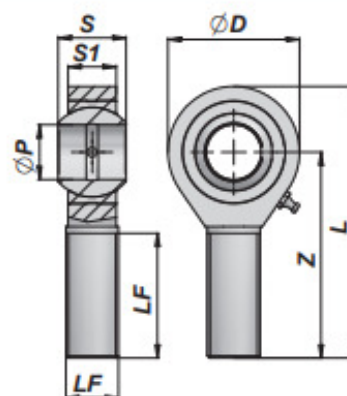


**TERMINALE A SNODO RILUBRIFICABILE**  
**BALL-JOINT END WITH GREASE NIPPLE**

**NEW!**

**CSTFE...PB**



Codice Code	ØP	Z	S	ØD	S1	L	F	LF	FC (kN)	kg
CSTF1235PB	5	33	8	16	6.0	35	M5x0.8	14	3.3	0,01
CSTF1236PB	6	36	9	18	6.7	39	M6x1	14	4.3	0,01
CSTF1237PB	8	42	12	22	9.0	47	M8x1.25	17	6.8	0,03
CSTF1238PB	10	48	14	26	10.5	56	M10x1.5	21	10.0	0,08
CSTF1239PB	12	54	16	30	12.0	65	M12x1.75	24	13.0	0,12
CSTF1240PB	14	60	19	34	13.5	74	M14x2	27	17.0	0,14
CSTF1241PB	16	66	21	38	15.0	83	M16x2	33	21.0	0,22
CSTF1242PB	18	72	23	42	16.5	92	M18x1.5	36	26.0	0,32
CSTF1243PB	20	78	25	48	18.0	100	M20x1.5	40	31.0	0,43
CSTF1244PB	22	84	28	50	20.0	109	M22x1.5	43	38.0	0,61
CSTF1245PB	25	94	31	60	22.0	124	M24x2	48	47.0	0,81
CSTF1247PB	28	103	35	66	25.0	136	M27x2	53	59.0	1,20
CSTF1246PB	30	110	37	70	25.0	145	M30x2	56	63.0	1,40

FC = CARICO DINAMICO AMMESSO - MAX DYNAMIC LOAD

MATERIALE : ACCIAIO ISO 12240-4 SERIE K - ISO 6126

MATERIAL : STEEL ISO 12240-4 SERIES K - ISO 6126